



## Introduction

Convergence of the following trends is driving today's data centers towards solutions that reduce data TCO and maximize application performance:

- **Data volume growth:** data warehousing, email, ERP, and online transactions continue to drive 40-60% annual increase in storage capacity needs.
- **Enforcement of regulatory requirements** (Sarbanes-Oxley, HIPAA, SEC 17a-4, etc) require a 360-degree view of data lifecycle in the enterprise.
- **Low-cost Serial ATA disk** offers for enterprise storage platform for meeting growth and governance issues.

## Overtone Software's Solution

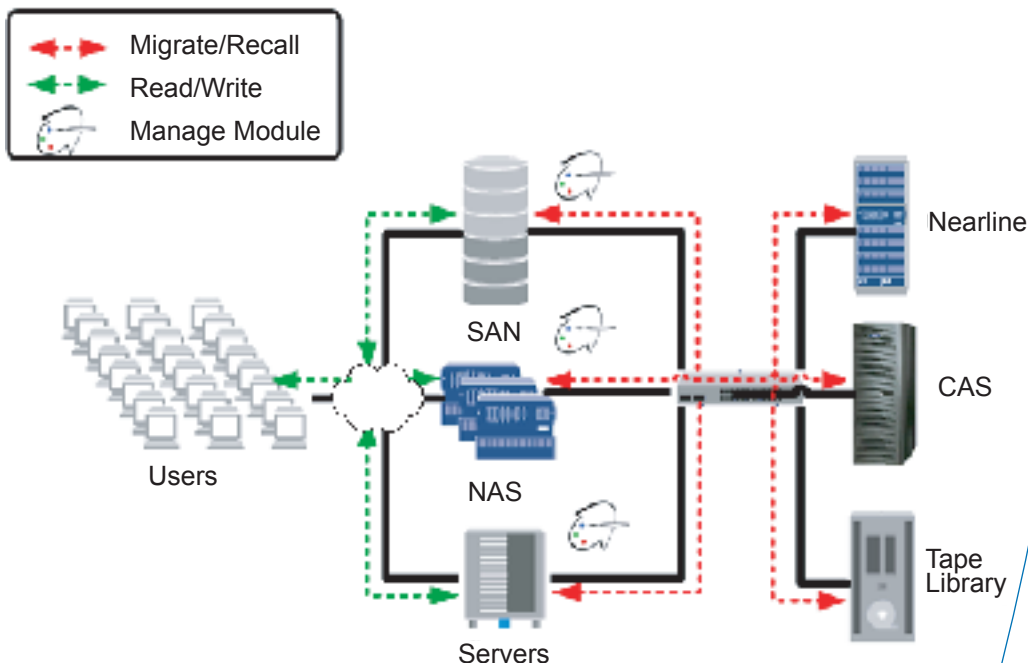
ManageTone Lifecycle Suite---the first platform-native Fast HSM for Tiered Storage Environments--- Servers, SAN, NAS, Nearline, CAS, and Tape.

- Single solution for Windows and UNIX file systems on EMC, Network Appliance, Hitachi, Xiotech, and major storage brands.
- Natively moves data based on time, content, and regulatory requirements to alternate secondary disk and tape storage.
- Integrates with Overtone Software's ManageTone™ for MS Exchange for enterprise-wide primary-secondary-tertiary solutions.

## ManageTone™ Lifecycle Suite

ManageTone migrates files to secondary storage based on user-configurable criteria. The migrated files are replaced with DOT™ files, intelligent pointers indicating location, status, and content of original files.

ManageTone Distributed Architecture



## Supports Both Nearline and Content-Addressable Storage Solutions

Overtone Software's solution migrates and recalls data seamlessly and instantaneously between primary network and SAN-connected storage and leading nearline and content -addressable storage--- such as Network Appliance Nearstore® and EMC Centra --- and tape or optical libraries.

*We like ManageTone's scalability, ease of use, and the 30% reduction in our backup window. We also like the faster application performance, the lower TCO--- and the minimal resources required to achieve these results."*

----US Army, SDDC

